

Service Trolleys

1 Side Trolley for 150 plates - height 935 mm

ITEM # _____

MODEL # _____

NAME # _____

SIS # _____

AIA # _____



361288 (PTR150H)

1-side Trolley for 150 Plates
h=935

Short Form Specification

Item No. _____

Constructed in 304 AISI stainless steel. Framework in square 25x25mm tubing, completely welded. Seamless base and back shelves with upturned edges. Shelves are welded to the framework. Base shelf is inclined. Plate dividers (n. 2), in chromium plated galvanized steel wire, can be placed in different positions. The handles are an extension of the load-bearing frame. N. 4 swivelling castors, two with brakes, mm125 in diameter, fitted with plastic bumpers.

Capacity: n. 150 stacked plates, dia. mm245 max.

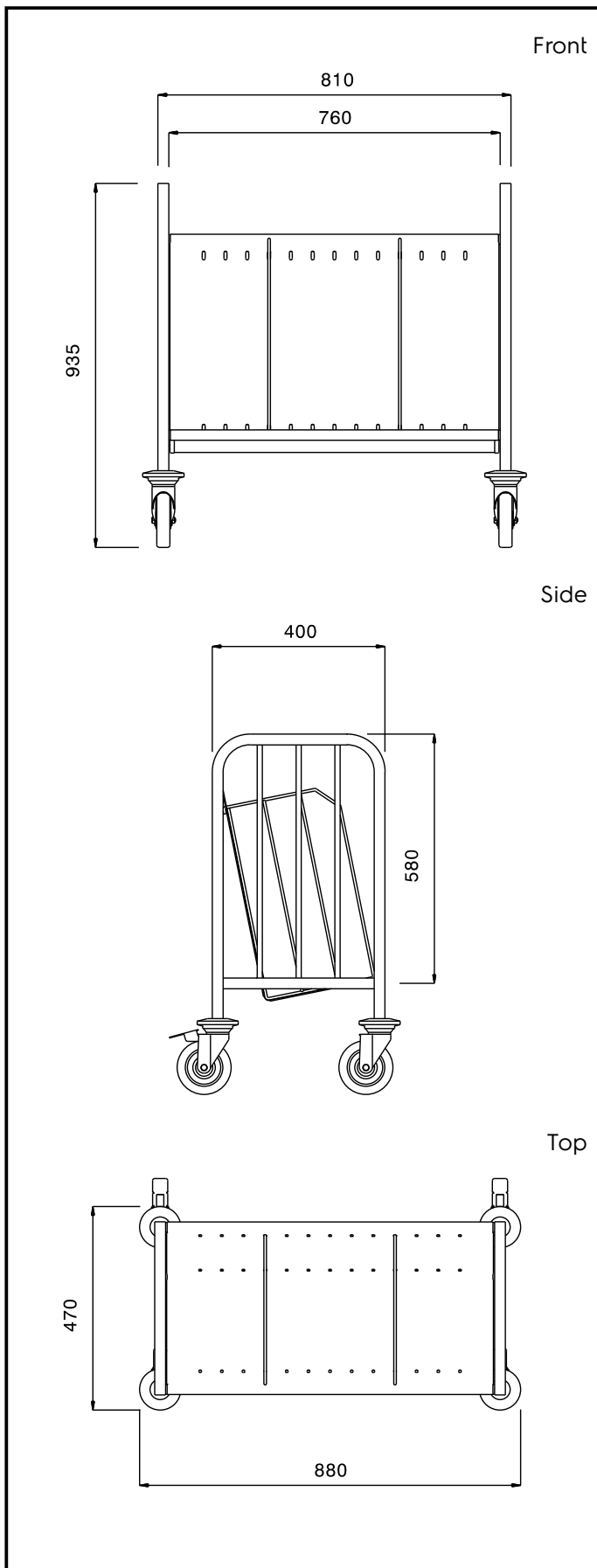
Main Features

- Framework in 25 mm tubing, completely welded.
- Two plate dividers in chromium plated galvanized steel wire, that can be placed in different positions.
- Seamless inclined base and back shelves with upturn edges welded to the framework.
- Accommodates 150 stacked plates, maximum 245 mm in diameter.
- 4 pivoting Ø 125 mm wheels, 2 of which with brakes, fitted with plastic bumpers

Construction

- Constructed entirely in 304 AISI stainless steel.

APPROVAL: _____



Key Information:

External dimensions, Width:	880 mm
361288 (PTR150H)	
External dimensions, Depth:	470 mm
External dimensions, Height:	935 mm
Wheel material:	Zinc plated
Wheel diameter:	Ø 125
Net weight:	16 kg